

# ECP48CX-5

## Five-section RZ-FOLD



### BOOM SPECIFICATION

Folding type	5-section RZ-folding
Max. vertical reach	47.1m
Max. horizontal reach	42.1m
Max. depth reach	33.1m
Unfolding height	12m
Slewing angle	360deg.
End hose length	3m
Delivery pipe dia.	125mm

### PUMP SPECIFICATION

Pump cell	2116
Control system	Closed Free Flow Hydraulic
Main pump	A4VG125x2
Concrete cylinder(mm)	230 x 2,100
Strokes No.(per min.)*	30
Concrete output(m <sup>3</sup> /h)*	160
Concrete pressure(bar)*	85
Transfer tube type	S-Tube, S2318
Volume of hopper	600L

\*Rod side. Ouput & pressure are theoretical data.

### FEATURE

- Double proximity sensors on delivery cylinders
- Auto lubrication system for hopper
- Working light on hopper/pedestal/boom
- Safety(OSS) system
- Safety device for hopper
- All exloy pipes and twin wall elbows fitted from 6-inch 90 degree
- Air-cuff function
- Vibrator on hopper

#### Hyundai Everdigm HEAD OFFICE

49, Buyeong-gil, Jincheon-eup, Jincheon-gun, Chungcheongbuk-do, Korea  
Tel +82-43-530-3300 Fax +82-43-530-3429  
W: www.hyundaieverdigm.com

#### JR EQUIPMENT

5/191 Sandy Creek Rd, Yatala, Qld, 4207  
P: 1300 EQUIPMENT (1300 378 476)  
E: info@jrequipment.com.au  
W: www.jrequipment.com.au

Authorized distributor of  
Hyundai Everdigm Concrete Pumps





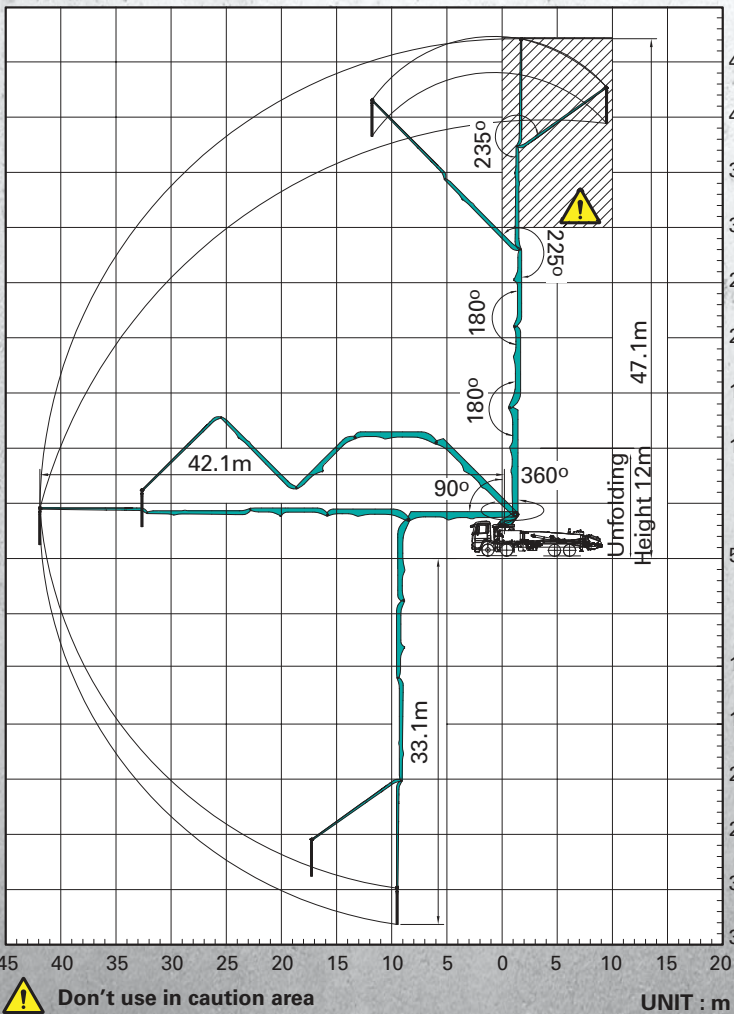
**DIMENSION**

**G.V.W (Gross Vehicle Weight)= 36ton**

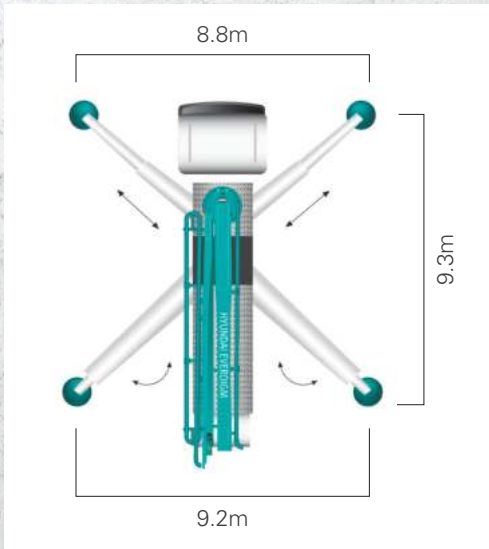


\*Dimensions may vary according to different truck makes, models, specifications, and options selected.  
 \*Weights are approximate and include pump, boom, truck, driver, and some fuel.

**WORKING RANGE**



**OUTRIGGER SPREAD**



Front outrigger type X(Diagonal) Extension

Rear outrigger type Swing-out

Authorized distributor of Hyundai Everdigm Concrete Pumps

