

ECP42CX-5

Five-section ZR-FOLD



BOOM SPECIFICATION

Folding type	5-section ZR-folding
Max. vertical reach	41.3m
Max. horizontal reach	36.7m
Max. depth reach	28.7m
Unfolding height	8.3m
Slewing angle	360deg.
End hose length	3(4)m
Delivery pipe dia.	125mm

PUMP SPECIFICATION

Pump cell	2116
Control system	Closed Free Flow Hydraulic
Main pump	A4VG125x2
Concrete cylinder(mm)	230 x 2,100
Strokes No.(per min.)*	30
Concrete output(m ³ /h)*	160
Concrete pressure(bar)*	85
Transfer tube type	S-Tube, S2318
Volume of hopper	600L

*Rod side. Ouput & pressure are theoretical data.

FEATURE

- Double proximity sensors on delivery cylinders
- Auto lubrication system for hopper
- Working light on hopper/pedestal/boom
- Safety(OSS) system
- Safety device for hopper
- All exloy pipes and twin wall elbows fitted from 6-inch 90 degree
- Air-cuff function
- Vibrator on hopper

Hyundai Everdigm HEAD OFFICE

49, Buyeong-gil, Jincheon-eup, Jincheon-gun, Chungcheongbuk-do, Korea
Tel +82-43-530-3300 Fax +82-43-530-3429
W: www.hyundaieverdigm.com

JR EQUIPMENT

5/191 Sandy Creek Rd, Yatala, Qld, 4207
P: 1300 EQUIPMENT (1300 378 476)
E: info@jrequipment.com.au
W: www.jrequipment.com.au

Authorized distributor of
Hyundai Everdigm Concrete Pumps



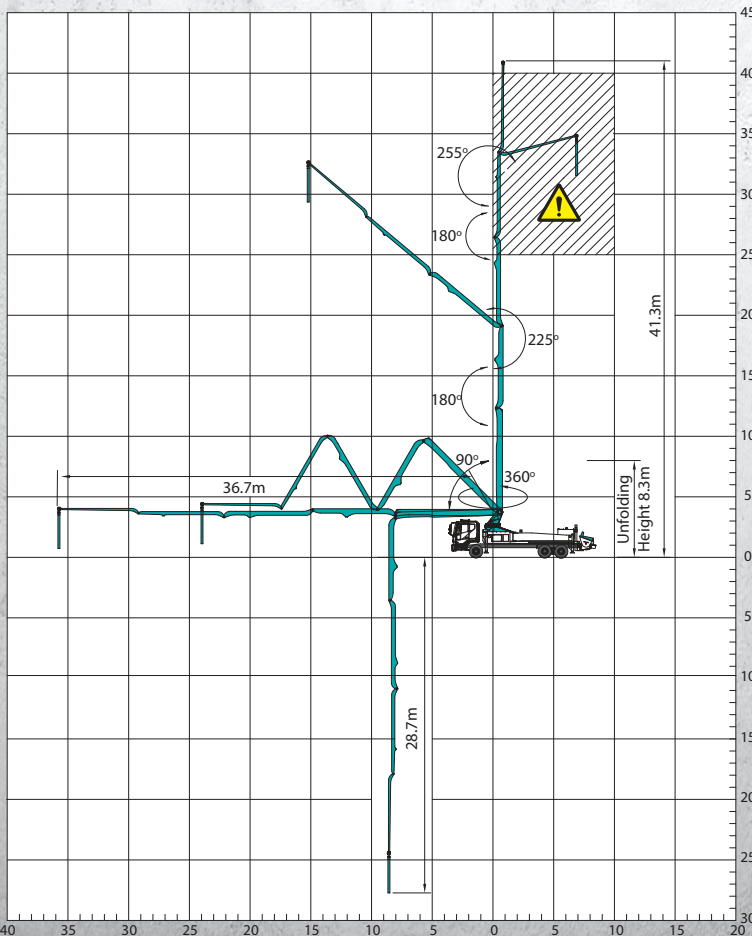
DIMENSION

G.V.W (Gross Vehicle Weight)= 30ton



*Dimensions may vary according to different truck makes, models, specifications, and options selected.
*Weights are approximate and include pump, boom, truck, driver, and some fuel.

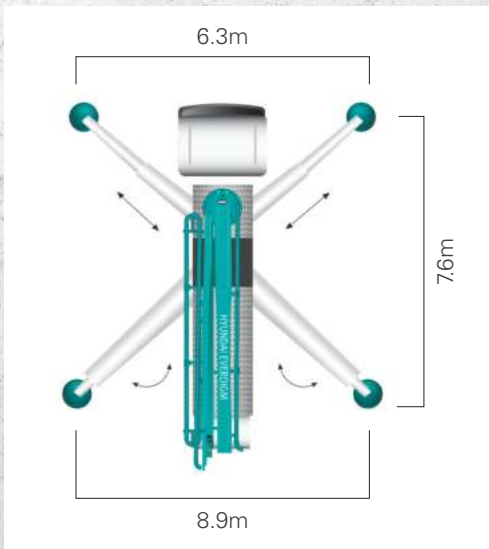
WORKING RANGE



Don't use in caution area

UNIT : m

OUTRIGGER SPREAD



Front outrigger type X(Diagonal) Extension

Rear outrigger type Swing-out

Authorized distributor of
Hyundai Everdigm Concrete Pumps